



MULTISTORE

ASSEMBLY INSTRUCTIONS

MELAMINE DOOR

SLIDING WARDROBE DOOR SYSTEMS



2010H x 30D

610W #2026334 810W #2026336 910W #2026338

1

SLIDING
DOOR

1

PACK

10

YEAR WARRANTY

INSTALLATION OF SLIDING DOORS

- STEP 1a** Fix top and bottom track to wardrobe carcass (jamb) with screws supplied.
- 1b** Both top and bottom track are to be kept flush with the front of the wardrobe carcass (jamb).
-

- STEP 2a** Install the back door first.
- 2b** To install door, insert the top of the door up hard into the top track.
 NOTE FIGURE 1.
-

- STEP 3a** When you have the door in place, you can now adjust it with the adjustment screws at the back of the door. NOTE FIGURE 2.
- 3b** To adjust your door, turn screw left or right to make door go up or down. There is an adjustment screw at each end of the door. NOTE FIGURE 2.
- 3c** Adjust the door to suit either side of your wardrobe carcass.
-

- STEP 4** Repeat all steps for the front door.

FIGURE 1.

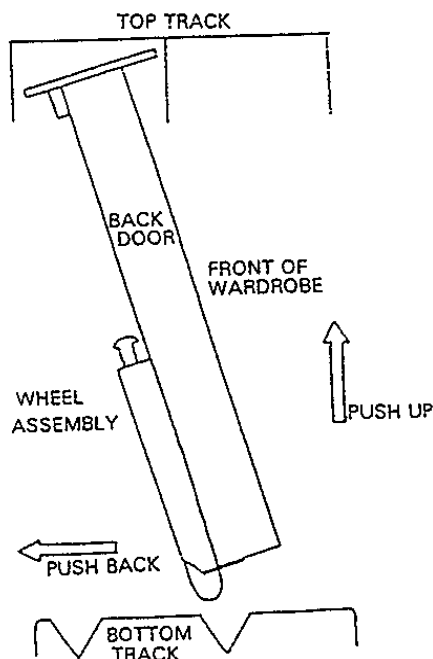
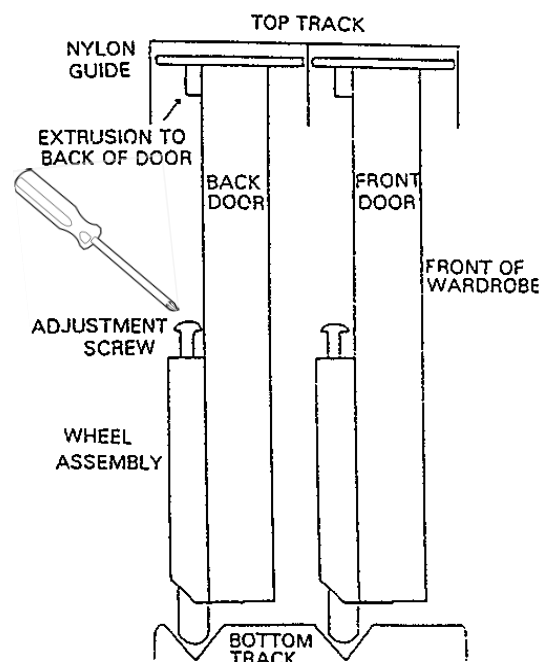


FIGURE 2.



Versatile Storage Units

for any room



multistore.com.au



Multistore Industries (Aust) Pty Ltd
9 Nevilles Street, Underwood QLD 4119 P: +61 (7) 3208 6799 sales@multistore.com.au

For easy assembly instructions, please refer to video on our website: www.multistore.com.au

Available at
BUNNINGS
warehouse